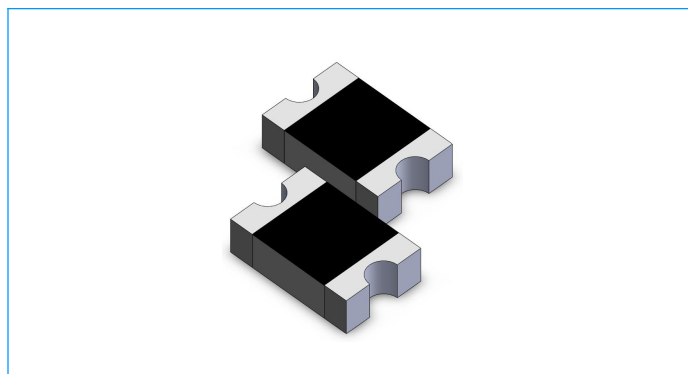


Surface Mount Resettable PTCs

SCF0805RZB Series

Features

- ◆ RoHS Compliant and Halogen Free
- ◆ Faster tripping, 0805 Dimension, Surface mountable, Solid state
- ◆ Operating Current: 0.75A~4.0A, @25°C
- ◆ Maximum Voltage: 6V/12V
- ◆ Operating Temperature: -40°C~ +85°C



Electrical Parameters

Part Number	Hold Current	Trip Current	Rated Voltage	Max Current	Typical Power	Maximum Time To Trip		Resistance	
	I_{hold} (A)	I_{trip} (A)	V_{max} (Vdc)	I_{max} (A)	$P_{dtyp.}$ (W)	Current (A)	Time (Sec.)	R_{min} (Ω)	R_{1max} (Ω)
SCF075-0805RZB	0.75	1.5	6.0	50.0	0.7	8.0	1.0	0.06	0.3
SCF075-12-0805RZB	0.75	1.5	12.0	50.0	0.7	8.0	1.0	0.06	0.3
SCF110-0805RZB	1.1	2.2	6.0	50.0	0.7	8.0	1.0	0.018	0.110
SCF110-12-0805RZB	1.1	2.2	12.0	50.0	0.7	8.0	1.0	0.018	0.110
SCF125-0805RZB	1.25	2.5	6.0	50.0	0.7	8.0	1.0	0.016	0.100
SCF125-12-0805RZB	1.25	2.5	12.0	50.0	0.7	8.0	1.0	0.016	0.100
SCF150-0805RZB	1.5	3.0	6.0	50.0	0.7	8.0	1.0	0.008	0.065
SCF150-12-0805RZB	1.5	3.0	12.0	50.0	0.7	8.0	1.0	0.008	0.065
SCF175-0805RZB	1.75	3.5	6.0	50.0	0.7	8.75	2.0	0.008	0.055
SCF175-12-0805RZB	1.75	3.5	12.0	50.0	0.7	8.75	2.0	0.008	0.055
SCF200-0805RZB	2.0	4.0	6.0	50.0	0.7	10.0	2.0	0.006	0.045
SCF200-12-0805RZB	2.0	4.0	12.0	50.0	0.7	10.0	2.0	0.006	0.045
SCF260-0805RZB	2.6	5.2	6.0	50.0	0.7	13.0	2.0	0.003	0.035
SCF260-12-0805RZB	2.6	5.2	12.0	50.0	0.7	13.0	2.0	0.003	0.035
SCF300-0805RZB	3.0	6.0	6.0	50.0	0.8	15.0	2.0	0.003	0.030
SCF300-12-0805RZB	3.0	6.0	12.0	50.0	0.8	15.0	2.0	0.003	0.030
SCF350-0805RZB	3.5	7.0	6.0	50.0	0.8	17.5	2.0	0.003	0.025
SCF350-12-0805RZB	3.5	7.0	12.0	50.0	0.8	17.5	2.0	0.003	0.025
SCF380-0805RZB	3.8	7.6	6.0	50.0	0.8	19.0	2.0	0.003	0.020

Surface Mount Resettable PTCs

SCF0805RZB Series

Electrical Parameters (Continue)

Part Number	Hold Current	Trip Current	Rated Voltage	Max Current	Typical Power	Maximum Time To Trip		Resistance	
	I_{hold} (A)	I_{trip} (A)	V_{max} (Vdc)	I_{max} (A)	$P_{dtyp.}$ (W)	Current (A)	Time (Sec.)	R_{min} (Ω)	R_{1max} (Ω)
SCF380-12-0805RZB	3.8	7.6	12.0	50.0	0.8	19.0	2.0	0.003	0.020
SCF400-0805RZB	4.0	8.0	6.0	50.0	0.8	20.0	2.0	0.003	0.015
SCF400-12-0805RZB	4.0	8.0	12.0	50.0	0.8	20.0	2.0	0.003	0.015

I_{hold} = Hold current: Maximum current at which the device will not interrupt in 25°C still air.

I_{trip} = Trip current: Minimum current at which the device from low resistance to high resistance in 25°C still air.

V_{max} = Maximum continuous voltage device can withstand without damage at rated current.

I_{max} = Maximum fault current device can withstand without damage at rated voltage.

Maximum Time-to-trip: Maximum time to trip at assigned current.

$P_{dtyp.}$ = Typical power dissipation: Typical amount of power dissipated from the device when in 25°C still air environment.

R_{min} = Minimum resistance of device at 25°C prior to tripping.

R_{1max} = Maximum device resistance is measured one hour post reflow.

Thermal Derating Chart - I_H (A)

Model	Maximum ambient operating temperature (°C)								
	-40	-20	0	25	40	50	60	70	85
SCF075-0805RZB	1.07	0.94	0.88	0.75	0.66	0.63	0.60	0.48	0.34
SCF075-12-0805RZB	1.07	0.94	0.88	0.75	0.66	0.63	0.60	0.48	0.34
SCF110-0805RZB	1.57	1.38	1.29	1.10	0.98	0.92	0.88	0.71	0.50
SCF110-12-0805RZB	1.57	1.38	1.29	1.10	0.98	0.92	0.88	0.71	0.50
SCF125-0805RZB	1.78	1.57	1.47	1.25	1.11	1.05	1.00	0.81	0.57
SCF125-12-0805RZB	1.78	1.57	1.47	1.25	1.11	1.05	1.00	0.81	0.57
SCF150-0805RZB	2.14	1.88	1.76	1.50	1.33	1.25	1.20	0.97	0.68
SCF150-12-0805RZB	2.14	1.88	1.76	1.50	1.33	1.25	1.20	0.97	0.68
SCF175-0805RZB	2.50	2.19	2.05	1.75	1.55	1.46	1.40	1.13	0.79
SCF175-12-0805RZB	2.50	2.19	2.05	1.75	1.55	1.46	1.40	1.13	0.79
SCF200-0805RZB	2.85	2.51	2.35	2.00	1.77	1.67	1.60	1.29	0.91
SCF200-12-0805RZB	2.85	2.51	2.35	2.00	1.77	1.67	1.60	1.29	0.91
SCF260-0805RZB	3.71	3.25	3.06	2.60	2.30	2.17	2.08	1.68	1.18
SCF260-12-0805RZB	3.71	3.25	3.06	2.60	2.30	2.17	2.08	1.68	1.18
SCF300-0805RZB	4.29	3.75	3.53	3.00	2.65	2.50	2.40	1.94	1.36
SCF300-12-0805RZB	4.29	3.75	3.53	3.00	2.65	2.50	2.40	1.94	1.36

Surface Mount Resettable PTCs

SCF0805RZB Series

Thermal Derating Chart - I_H (A) (Continue)

Model	Maximum ambient operating temperature (°C)								
	-40	-20	0	25	40	50	60	70	85
SCF350-0805RZB	5.00	4.38	4.12	3.50	3.09	2.92	2.80	2.26	1.59
SCF350-12-0805RZB	5.00	4.38	4.12	3.50	3.09	2.92	2.80	2.26	1.59
SCF380-0805RZB	5.43	4.76	4.47	3.80	3.35	3.17	3.04	2.45	1.73
SCF380-12-0805RZB	5.43	4.76	4.47	3.80	3.35	3.17	3.04	2.45	1.73
SCF400-0805RZB	5.72	5.00	4.71	4.00	3.53	3.33	3.20	2.59	1.81
SCF400-12-0805RZB	5.72	5.00	4.71	4.00	3.53	3.33	3.20	2.59	1.81

Test Procedures and Requirements

Test Item	Test Conditions	Accept/Reject Criteria
Initial Resistance	In still air at 25°C	$R_{MIN} \leq R \leq R_{1MAX}$
Time to Trip	Specified current, V_{MAX} , 25°C	$T \leq$ Maximum Time to Trip
Holding Current	30min, at I_H , 25°C	No trip
Trip Endurance	V_{MAX} , I_{MAX} , 1 hour	No arcing or burning

Physical Characteristics

Terminal Materials	Tin-Plated Nickel-copper
Soldering Zone	Meets EIA specification RS 186-9E and ANSI/J-STD-002 Category 3.
Moisture Sensitivity	Level 2a, per IPC/JEDEC J-STD 020C

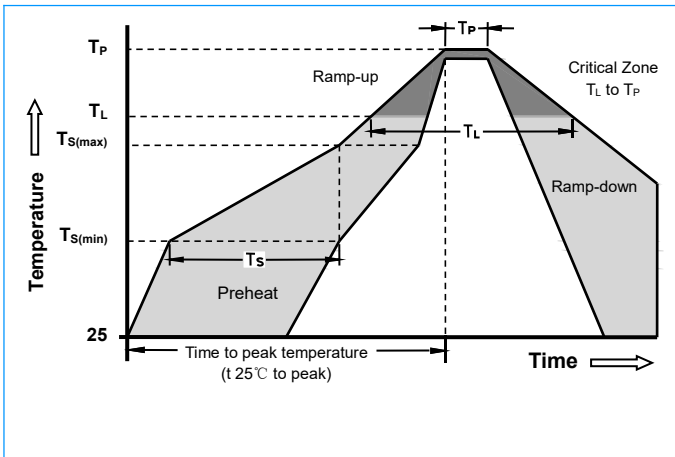
Environmental Specifications

Test Item	Test Conditions	Resistance Change
Passive Aging	85°C, 1000 hours	±10% typical
Humidity Aging	85°C/85%RH, 100 hours	±5% typical
Thermal Shock	MIL-STD-202, Method 107G +85°C/-40°C, 20 times	-30% typical
Solvent Resistance	MIL-STD-202, Method 215	No change
Vibration	ML-STD-883C, Method 2007.1, Condition A	No change

Surface Mount Resettable PTCs

SCF0805RZB Series

Soldering Parameters



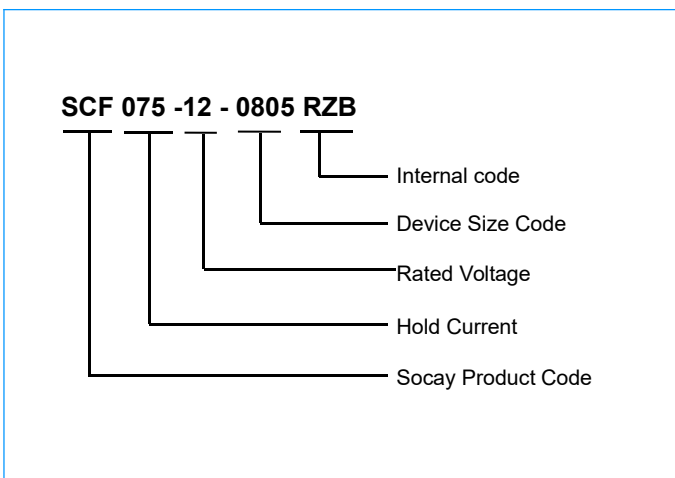
Profile Feature	Pb-Free Assembly
Average Ramp-Up Rate (TS max to TP)	3°C/second max.
Preheat : Temperature Min (TSmin) Temperature Max (TSmax) Time (TSmin to TSmax)	150°C 200°C 60-120 seconds
Time maintained above: Temperature(TL) Time (TL)	217°C 60-150 seconds
Peak/Classification Temperature(TP)	260°C
Time within 5 °C of actual peak temperature: Time (TP)	30 seconds max.
Ramp-down Rate	3°C/ second max.
Time 25°C to Peak Temperature	8 minutes max.

- Recommended reflow methods: IR, vapor phase oven, hot air oven, N2 environment for lead-free.
- Devices are not designed to be wave soldered to the bottom side of the board.
- Recommended maximum paste thickness is 0.25mm (0.010inch).
- Devices can be cleaned using standard industry methods and solvents.

Note 1: All temperature refer to top side of the package, measured on the package body surface.

Note 2: If reflow temperature exceeded the recommended profile, devices may not meet the performance requirements.

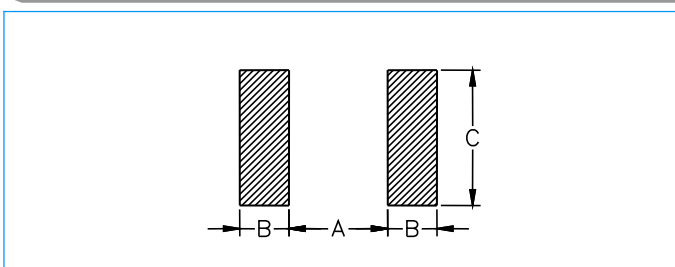
Part Numbering



Example

D= SCF075-0805RZB	E= SCF200-12-0805RZB
D= SCF075-12-0805RZB	H= SCF260-0805RZB
D= SCF110-0805RZB	H= SCF260-12-0805RZB
D= SCF110-12-0805RZB	H= SCF300-0805RZB
D= SCF125-0805RZB	H= SCF300-12-0805RZB
D= SCF125-12-0805RZB	K= SCF350-0805RZB
E= SCF150-0805RZB	K= SCF350-12-0805RZB
E= SCF150-12-0805RZB	K= SCF380-0805RZB
E= SCF175-0805RZB	K= SCF380-12-0805RZB
E= SCF175-12-0805RZB	K= SCF400-0805RZB
E= SCF200-0805RZB	K= SCF400-12-0805RZB

Recommended Solder Pad Layout Dimensions (Unit: mm)

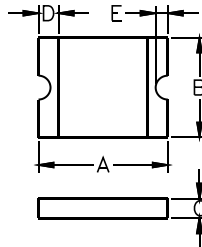


Device	A	B	C
	Nominal	Nominal	Nominal
0805 Series	1.20	1.00	1.50

Surface Mount Resettable PTCs

SCF0805RZB Series

Product Dimensions (Unit: mm)



Part Number	A		B		C		D	E
	Min.	Max.	Min.	Max.	Min.	Max.	Min.	Min.
SCF075-0805RZB	2.00	2.20	1.20	1.50	0.30	0.70	0.20	0.10
SCF075-12-0805RZB	2.00	2.20	1.20	1.50	0.30	0.70	0.20	0.10
SCF110-0805RZB	2.00	2.20	1.20	1.50	0.30	0.70	0.20	0.10
SCF110-12-0805RZB	2.00	2.20	1.20	1.50	0.30	0.70	0.20	0.10
SCF125-0805RZB	2.00	2.20	1.20	1.50	0.30	0.70	0.20	0.10
SCF125-12-0805RZB	2.00	2.20	1.20	1.50	0.30	0.70	0.20	0.10
SCF150-0805RZB	2.00	2.20	1.20	1.50	0.40	1.00	0.20	0.10
SCF150-12-0805RZB	2.00	2.20	1.20	1.50	0.40	1.00	0.20	0.10
SCF175-0805RZB	2.00	2.20	1.20	1.50	0.40	1.00	0.20	0.10
SCF175-12-0805RZB	2.00	2.20	1.20	1.50	0.40	1.00	0.20	0.10
SCF200-0805RZB	2.00	2.20	1.20	1.50	0.40	1.20	0.20	0.10
SCF200-12-0805RZB	2.00	2.20	1.20	1.50	0.40	1.20	0.20	0.10
SCF260-0805RZB	2.00	2.20	1.20	1.50	0.40	1.20	0.20	0.10
SCF260-12-0805RZB	2.00	2.20	1.20	1.50	0.40	1.20	0.20	0.10
SCF300-0805RZB	2.00	2.20	1.20	1.50	0.50	1.40	0.20	0.10
SCF300-12-0805RZB	2.00	2.20	1.20	1.50	0.50	1.40	0.20	0.10
SCF350-0805RZB	2.00	2.20	1.20	1.50	0.50	1.40	0.20	0.10
SCF350-12-0805RZB	2.00	2.20	1.20	1.50	0.50	1.40	0.20	0.10
SCF380-0805RZB	2.00	2.20	1.20	1.50	0.60	1.60	0.20	0.10
SCF380-12-0805RZB	2.00	2.20	1.20	1.50	0.60	1.60	0.20	0.10
SCF400-0805RZB	2.00	2.20	1.20	1.50	0.60	1.60	0.20	0.10
SCF400-12-0805RZB	2.00	2.20	1.20	1.50	0.60	1.60	0.20	0.10

Surface Mount Resettable PTCs

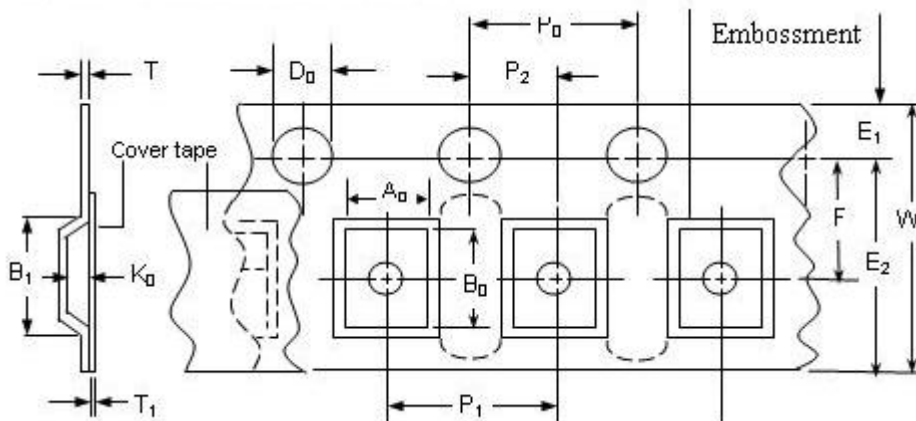
SCF0805RZB Series

Packaging Quantity

Part Number	Quantity	Part Number	Quantity
SCF075-0805RZB	5000 PCS	SCF200-12-0805RZB	5000 PCS
SCF075-12-0805RZB	5000 PCS	SCF260-0805RZB	3000 PCS
SCF110-0805RZB	5000 PCS	SCF260-12-0805RZB	3000 PCS
SCF110-12-0805RZB	5000 PCS	SCF300-0805RZB	3000 PCS
SCF125-0805RZB	5000 PCS	SCF300-12-0805RZB	3000 PCS
SCF125-12-0805RZB	5000 PCS	SCF350-0805RZB	3000 PCS
SCF150-0805RZB	5000 PCS	SCF350-12-0805RZB	3000 PCS
SCF150-12-0805RZB	5000 PCS	SCF380-0805RZB	3000 PCS
SCF175-0805RZB	5000 PCS	SCF380-12-0805RZB	3000 PCS
SCF175-12-0805RZB	5000 PCS	SCF400-0805RZB	3000 PCS
SCF200-0805RZB	4000 PCS	SCF400-12-0805RZB	3000 PCS

Tape Specifications and Reel Specifications (Unit: mm)

Tape Component Dimensions



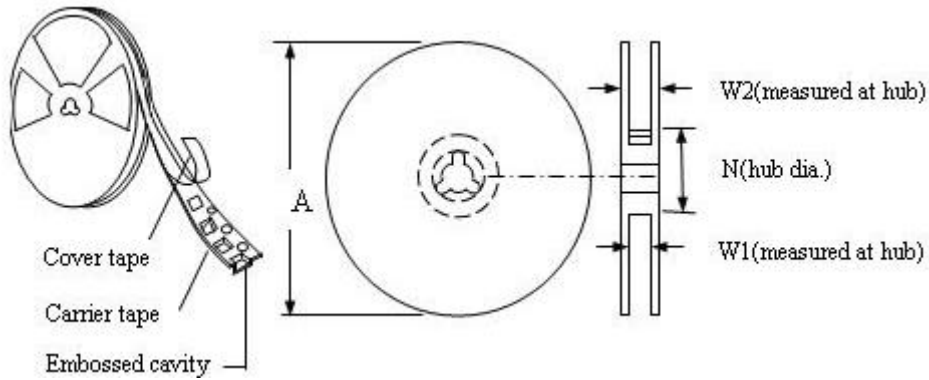
Symbol	Dimensions
W	8.0±0.3
P₀	4.0±0.10
P₁	4.0±0.10
P₂	2.0±0.05
A₀	1.65±0.10
B₀	2.35±0.10
D₀	1.55±0.05
F	3.50±0.05
E₁	1.75±0.10
T	0.25±0.10
Leader min.	390
Trailer min.	160

Surface Mount Resettable PTCs

SCF0805RZB Series

Tape Specifications and Reel Specifications (Unit: mm) (Continue)

Reel Dimensions



Symbol	Dimensions
A	178±1.0
N	59±1.0
W1	8.5+1.0/-0.2
W2	12.0±1.0

Warning



- ◆ Operation beyond the specified maximum ratings or improper use may result in damage and possible electrical arcing and/or flame.
- ◆ PPTC device are intended for occasional over-current protection. Application for repeated over-current condition and/or prolonged trip are not anticipated.
- ◆ Avoid contact of PPTC device with chemical solvent. Prolonged contact will damage the device performance.